

Sponge Basket, Wall Mounted  
Edwardian Collection  
83 290 581

Description

Our classic Edwardian Bathroom Accessories are made from solid brass perfect for accommodating bathing products for a simple elegant look.

Finishes

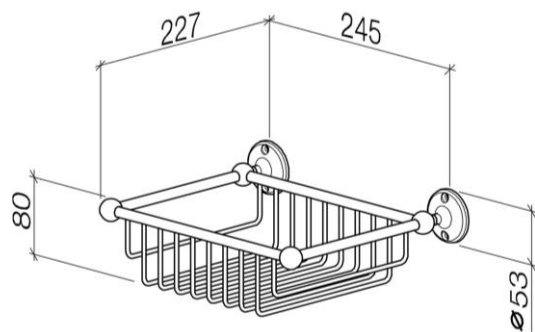


Chrome

Duragold

Matt Nickel

Nickel



Specification

Height	80 mm
Width	300 mm
Projection	230 mm